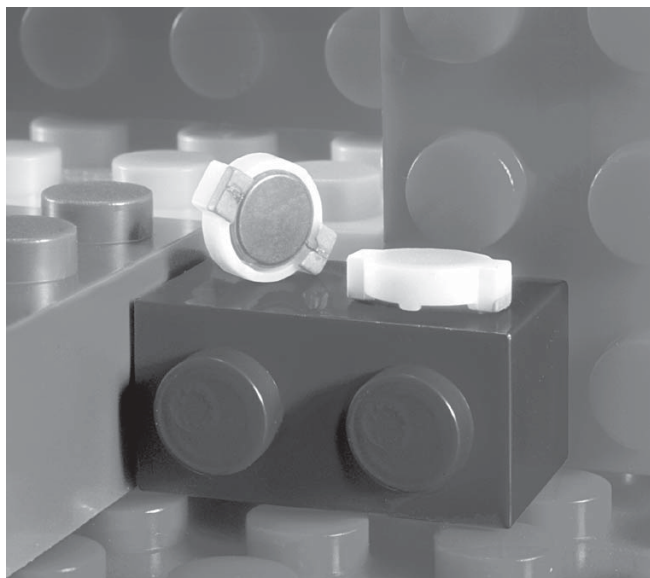


SMT Power Inductors - DO1606 Series



This series is designed for applications requiring high inductance, high current and an ultra-low profile.

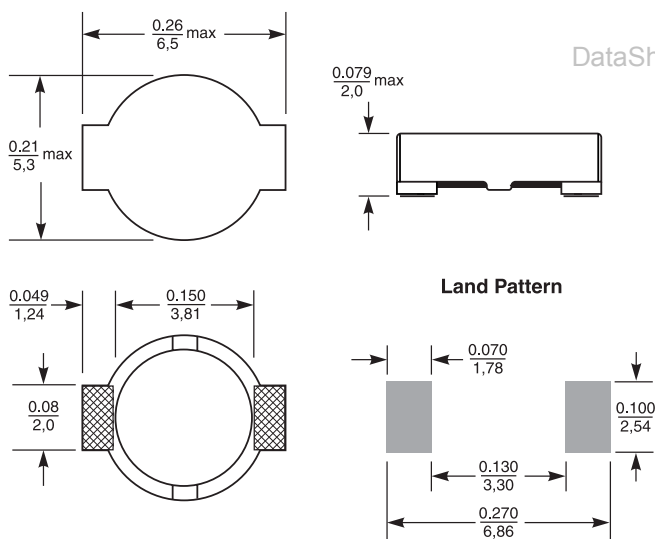
The DO1606 measures only 2 mm high and has a footprint of just 5,3 x 6,5 mm. But despite this small size, it is available in versions that will handle up to 2.5 Amps. The series covers a wide range of inductance values from 1 μ H to 1 mH.

The core is completely enclosed in a rugged ceramic case giving it a flat top that provides the optimum surface for reliable pick and place operations.

Samples of all standard values are available in Coilcraft **Designer's Kit C138**. To order, contact Coilcraft or purchase the kit on-line at <http://order.coilcraft.com>.



PSpice models SEE CATALOG, WEB SITE OR CD



Parts/reel: 7" 750; 13" 2500 Tape width: 12 mm
For packaging data see Tape and Reel Specifications section.

Part number	L $\pm 20\%$ ¹ (μ H)	DCR max (Ohms)	SRF ref (MHz)	Isat ² (A)	Irms ³ (A)
DO1606T-102	1.0	0.04	230	2.5	2.3
DO1606T-152	1.5	0.06	180	2.2	2.1
DO1606T-222	2.2	0.07	140	1.8	1.7
DO1606T-332	3.3	0.12	110	1.4	1.3
DO1606T-472	4.7	0.15	100	1.2	1.1
DO1606T-682	6.8	0.20	80	1.1	1.0
DO1606T-103	10	0.30	60	1.0	0.90
DO1606T-153	15	0.40	45	0.8	0.70
DO1606T-223	22	0.54	35	0.6	0.50
DO1606T-333	33	0.74	30	0.5	0.45
DO1606T-473	47	1.1	22	0.45	0.40
DO1606T-683	68	1.6	20	0.35	0.35
DO1606T-104	100	2.3	15	0.30	0.30
DO1606T-154	150	3.5	10	0.25	0.25
DO1606T-224	220	5.7	9	0.20	0.18
DO1606T-334	330	8.2	8	0.16	0.16
DO1606T-474	470	10.8	7	0.14	0.12
DO1606T-684	680	17.2	5	0.12	0.10
DO1606T-105	1000	22.6	4	0.08	0.08

For environmental data see Product Specifications section.

1. Inductance tested @ 100 kHz, 0.1 Vrms.
2. Inductance drop = 10% typ. at rated Isat.
3. $\Delta T = 40^\circ\text{C}$ rise typ. at Irms.
4. Operating temperature range -40°C to $+85^\circ\text{C}$.
5. Electrical specifications at 25°C .

Coilcraft

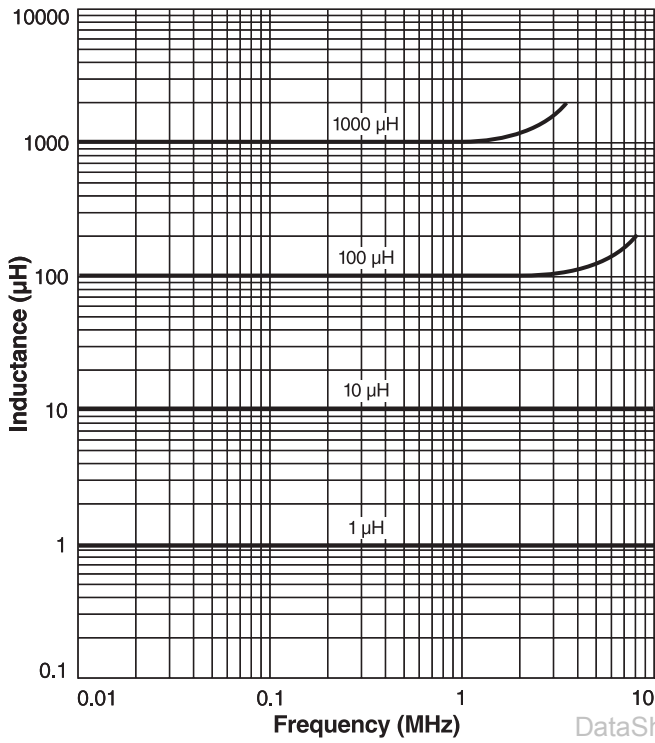
Specifications subject to change without notice. Document 213-1 Revised 4/23/02

1102 Silver Lake Road Cary, Illinois 60013 Phone 847/639-6400 Fax 847/639-1469
E-mail info@coilcraft.com Web <http://www.coilcraft.com>

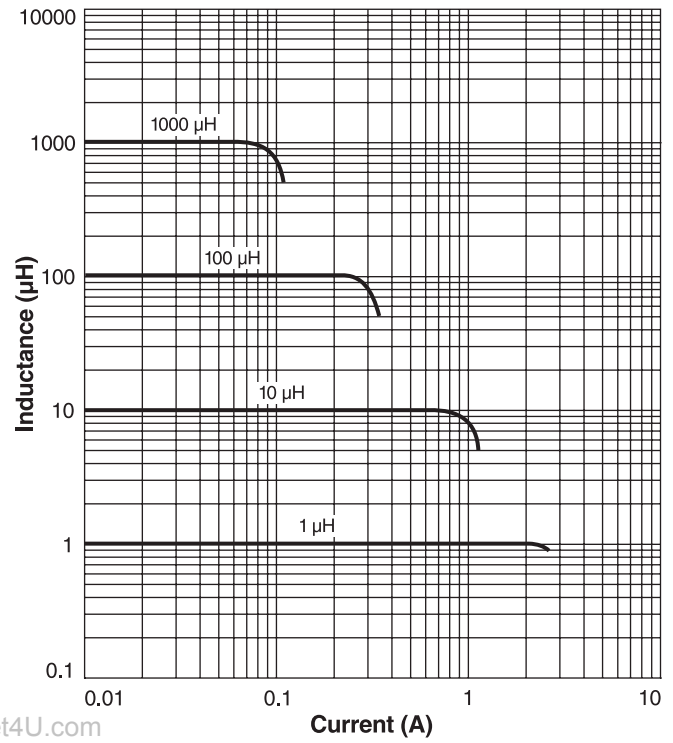
www.DataSheet4U.com

SMT Power Inductors - DO1606 Series

Typical L vs Frequency



Typical L vs Current



Specifications subject to change without notice. Document 213-2 Revised 11/21/01

1102 Silver Lake Road Cary, Illinois 60013 Phone 847/639-6400 Fax 847/639-1469
E-mail info@coilcraft.com Web http://www.coilcraft.com